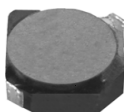


PRH3D11AHP



FEATURES 特点

- * Excellent solderability and high heat resistance
良好的可焊性和高耐热性

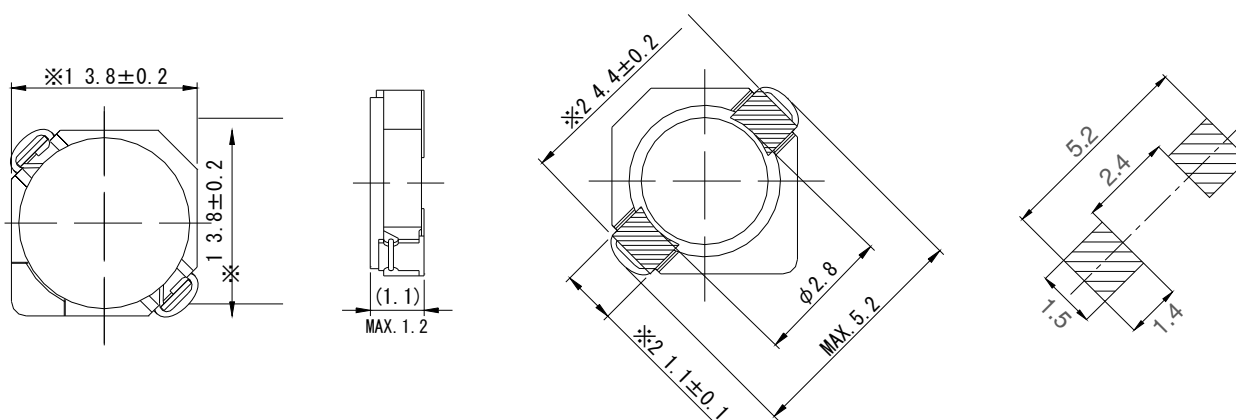
APPLICATION 用途

- * DC / DC 转换器

MEASURING FREQUENCY 测试频率

- * 100KHz 0.3V

Shapes And Dimensions 外形及尺寸示意图



Electrical Characteristics 电气性能

Type 型號	Indicate 表示	Inductance 電感值	D.C.R(Max) 直流電阻 (毫欧)	Rated Current(Max) 額定電流 (A)
PRH3D1 1AHP-0R6	0R6	1.5μH±30%	100(45)	/
PRH3D1 1AHP-1R2	1R2	1.2μH±30%	79(63)	/
PRH3D1 1AHP-1R5	1R5	1.5μH±30%	100(80)	1.45
PRH3D1 1AHP-2R7	2R7	2.7μH±30%	125(100)	1.30
PRH3D1 1AHP-3R6	3R6	3.6μH±30%	168(135)	1.00
PRH3D1 1AHP-4R7	4R7	4.7μH±30%	200(160)	0.90
PRH3D1 1AHP-6R5	6R5	6.5μH±30%	275(220)	0.80
PRH3D1 1AHP-100	100	10μH±30%	360(280)	0.70
PRH3D1 1AHP-120	120	12μH±30%	400(320)	0.65
PRH3D1 1AHP-150	150	15μH±30%	550(440)	0.55
PRH3D1 1AHP-180	180	18μH±30%	706(565)	0.47
PRH3D1 1AHP-220	220	22μH±30%	925(740)	0.38

* SPQ:3000PCS/REEL